

**FC 45N HOPPER SILOS DIMENSIONS AND CAPACITIES (NARROW CORRUGATION SHEET)**

DIAMETER METERS (FT)	MODEL	HEIGHTS			CAPACITY		
		STRUCTURES M (A)	EAVES M (B)	OVERALL M (C)	M <sup>3</sup>	TONNES	
<b>FC45N 04</b> D=3.64 m (12 FT)	FC45N 04/04	2.49	6.05	7.04	47	36	
	FC45N 04/05	2.49	6.92	7.91	56	44	
	FC45N 04/06	2.49	7.80	8.79	65	51	
	FC45N 04/07	2.49	8.68	9.67	74	58	
	FC45N 04/08	2.49	9.56	10.55	83	65	
	FC45N 04/09	2.49	10.44	11.43	92	72	
	FC45N 04/10	2.49	11.32	12.31	102	79	
	FC45N 04/11	2.49	12.20	13.19	111	86	
	FC45N 04/12	2.49	13.08	14.07	120	93	
	FC45N 04/13	2.49	13.96	14.95	129	101	
	FC45N 04/14	2.49	14.84	15.83	138	108	
	FC45N 04/15	2.49	15.72	16.71	147	115	
	<b>FC45N 05</b> D=4.55 m (15 FT)	FC45N 05/04	2.93	6.48	7.73	77	60
		FC45N 05/05	2.93	7.37	8.62	91	71
		FC45N 05/06	2.93	8.25	9.50	105	82
FC45N 05/07		2.93	9.13	10.38	120	93	
FC45N 05/08		2.93	10.01	11.26	134	104	
FC45N 05/09		2.93	10.89	12.14	148	116	
FC45N 05/10		2.93	11.77	13.02	162	127	
FC45N 05/11		2.93	12.65	13.90	177	138	
FC45N 05/12		2.93	13.53	14.78	191	149	
FC45N 05/13		2.93	14.41	15.66	205	160	
FC45N 05/14		2.93	15.29	16.54	220	171	
FC45N 05/15		2.93	16.17	17.42	234	182	
FC45N 05/16		2.93	17.05	18.30	248	194	
FC45N 05/17		2.93	17.93	19.18	263	205	
FC45N 05/18		2.93	18.81	20.07	277	216	
FC45N 05/19	2.93	19.69	20.95	291	227		
FC45N 05/20	2.93	20.57	21.83	305	238		
<b>FC45N 06</b> D=5.46 m (18 FT)	FC45N 06/04	3.39	6.95	8.46	116	90	
	FC45N 06/05	3.39	7.83	9.34	136	106	
	FC45N 06/06	3.39	8.71	10.22	157	122	
	FC45N 06/07	3.39	9.59	11.10	178	139	
	FC45N 06/08	3.39	10.47	11.98	198	155	
	FC45N 06/09	3.39	11.35	12.86	219	171	
	FC45N 06/10	3.39	12.23	13.74	239	187	
	FC45N 06/11	3.39	13.11	14.62	260	203	
	FC45N 06/12	3.39	13.99	15.50	281	219	
	FC45N 06/13	3.39	14.87	16.38	301	235	
	FC45N 06/14	3.39	15.75	17.26	322	251	
	FC45N 06/15	3.39	16.63	18.14	342	267	
	FC45N 06/16	3.39	17.51	19.02	363	283	
	FC45N 06/17	3.39	18.39	19.90	383	299	
	FC45N 06/18	3.39	19.27	20.78	404	315	
FC45N 06/19	3.39	20.15	21.66	425	331		
FC45N 06/20	3.39	21.03	22.54	445	347		
FC45N 06/21	3.39	21.91	23.42	466	363		
FC45N 06/22	3.39	22.79	24.30	486	379		
FC45N 06/23	3.39	23.67	25.18	507	395		
FC45N 06/24	3.39	24.55	26.06	528	412		
<b>FC45N 07</b> D=6.37 m (21 FT)	FC45N 07/04	3.84	7.39	9.17	165	129	
	FC45N 07/05	3.84	8.28	10.06	193	151	
	FC45N 07/06	3.84	9.16	10.94	221	172	
	FC45N 07/07	3.84	10.04	11.82	249	194	
	FC45N 07/08	3.84	10.92	12.70	277	216	
	FC45N 07/09	3.84	11.80	13.58	305	238	
	FC45N 07/10	3.84	12.68	14.46	333	260	
	FC45N 07/11	3.84	13.56	15.34	361	282	
	FC45N 07/12	3.84	14.44	16.22	389	304	
	FC45N 07/13	3.84	15.32	17.10	417	325	
	FC45N 07/14	3.84	16.20	17.98	445	347	
	FC45N 07/15	3.84	17.08	18.86	473	369	
	FC45N 07/16	3.84	17.96	19.74	501	391	
	FC45N 07/17	3.84	18.84	20.62	529	413	
	FC45N 07/18	3.84	19.72	21.50	557	435	
FC45N 07/19	3.84	20.60	22.38	585	457		
FC45N 07/20	3.84	21.48	23.26	613	478		
FC45N 07/21	3.84	22.36	24.14	641	500		
FC45N 07/22	3.84	23.24	25.02	669	522		
FC45N 07/23	3.84	24.12	25.90	697	544		
FC45N 07/24	3.84	25.00	26.78	725	566		
FC45N 07/25	3.84	25.88	27.66	754	588		
FC45N 07/26	3.84	26.76	28.53	782	610		
FC45N 07/27	3.84	27.64	29.41	810	631		
FC45N 07/28	3.84	28.52	30.29	838	653		
FC45N 07/29	3.84	29.40	31.17	866	675		
FC45N 07/30	3.84	30.28	32.05	894	697		

**NOTE**

- 1) Heights might be subjected to +/- 0,030 m variation depending on the site conditions
- 2) Capacities are to be considered UNCOMPACTED
- 3) The maximum number of rings is referred to standard ambiental data: 73,6 daN/m<sup>2</sup> for snow; 100daN/m<sup>2</sup> for design wind pressure; 0,00g for seismic

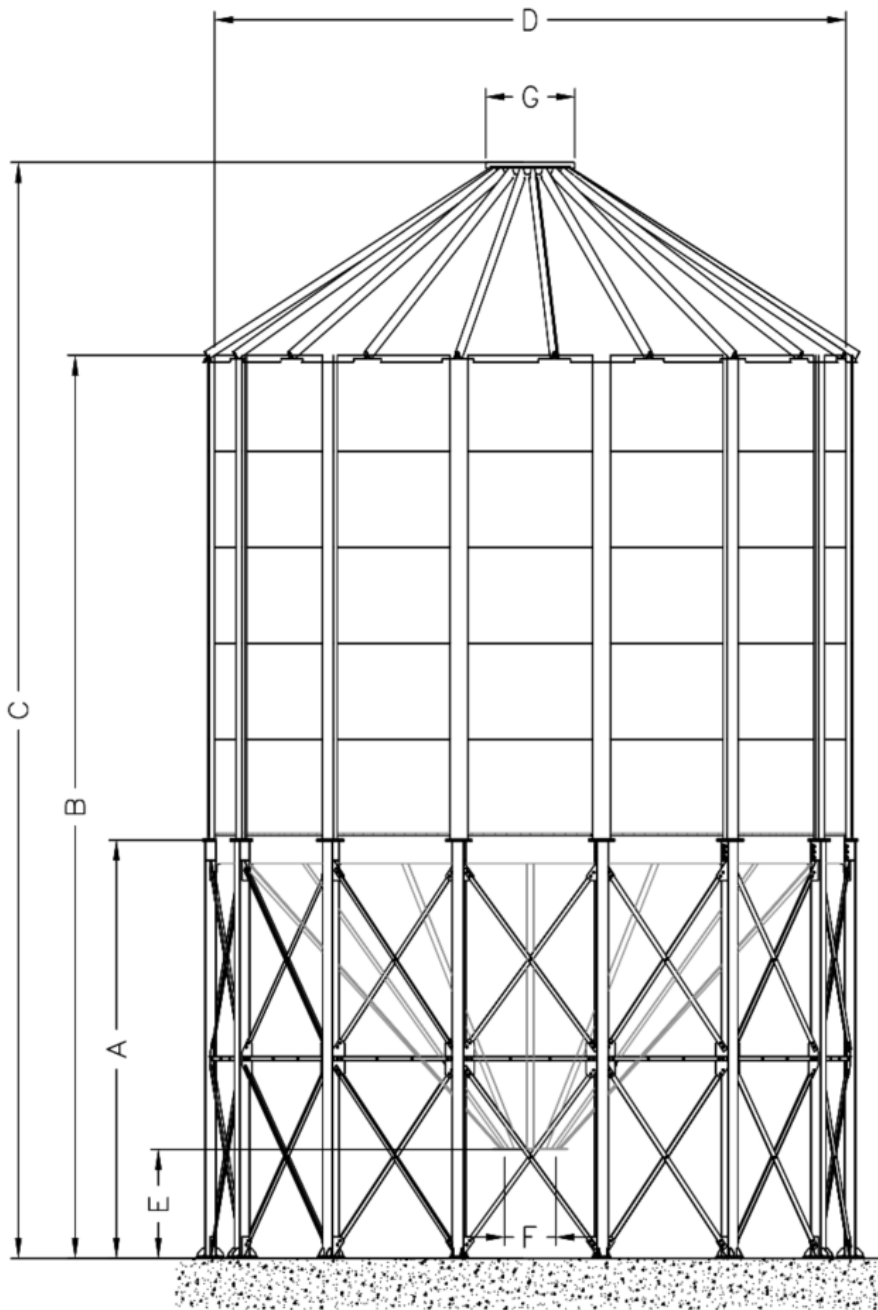
DIAMETER METERS (FT)	MODEL	HEIGHTS			CAPACITY		
		STRUCTURES M (A)	EAVES M (B)	OVERALL M (C)	M <sup>3</sup>	TONNES	
<b>FC45N 08</b> D=7.28 m (24 FT)	FC45N 08/04	4.29	7.85	9.89	225	176	
	FC45N 08/05	4.29	8.74	10.78	262	204	
	FC45N 08/06	4.29	9.62	11.66	298	233	
	FC45N 08/07	4.29	10.50	12.54	335	261	
	FC45N 08/08	4.29	11.38	13.42	372	290	
	FC45N 08/09	4.29	12.26	14.30	408	318	
	FC45N 08/10	4.29	13.14	15.18	445	347	
	FC45N 08/11	4.29	14.02	16.06	481	376	
	FC45N 08/12	4.29	14.90	16.94	518	404	
	FC45N 08/13	4.29	15.78	17.82	555	433	
	FC45N 08/14	4.29	16.66	18.70	591	461	
	FC45N 08/15	4.29	17.54	19.58	628	490	
	FC45N 08/16	4.29	18.42	20.46	664	518	
	FC45N 08/17	4.29	19.30	21.34	701	547	
	FC45N 08/18	4.29	20.18	22.22	738	575	
	FC45N 08/19	4.29	21.06	23.10	774	604	
	FC45N 08/20	4.29	21.94	23.98	811	632	
	FC45N 08/21	4.29	22.82	24.86	847	661	
	FC45N 08/22	4.29	23.70	25.74	884	690	
	FC45N 08/23	4.29	24.58	26.62	921	718	
	FC45N 08/24	4.29	25.46	27.50	957	747	
	FC45N 08/25	4.29	26.34	28.38	994	775	
	FC45N 08/26	4.29	27.22	29.25	1,030	804	
	FC45N 08/27	4.29	28.10	30.13	1,067	832	
	FC45N 08/28	4.29	28.98	31.01	1,104	861	
	FC45N 08/29	4.29	29.86	31.89	1,140	889	
	FC45N 08/30	4.29	30.74	32.77	1,177	918	
	<b>FC45N 09</b> D=8.19 m (27 FT)	FC45N 09/04	5.29	8.85	11.15	303	236
		FC45N 09/05	5.29	9.53	11.83	349	272
		FC45N 09/06	5.29	10.41	12.71	395	308
FC45N 09/07		5.29	11.29	13.59	442	344	
FC45N 09/08		5.29	12.17	14.47	488	381	
FC45N 09/09		5.29	13.05	15.35	534	417	
FC45N 09/10		5.29	13.93	16.23	580	453	
FC45N 09/11		5.29	14.81	17.11	627	489	
FC45N 09/12		5.29	15.69	17.99	673	525	
FC45N 09/13		5.29	16.57	18.87	719	561	
FC45N 09/14		5.29	17.45	19.75	766	597	
FC45N 09/15		5.29	18.33	20.63	812	633	
FC45N 09/16		5.29	19.21	21.51	858	670	
FC45N 09/17		5.29	20.09	22.39	905	706	
FC45N 09/18		5.29	20.97	23.27	951	742	
FC45N 09/19		5.29	21.85	24.15	997	778	
FC45N 09/20		5.29	22.73	25.03	1,044	814	
FC45N 09/21		5.29	23.61	25.91	1,090	850	
FC45N 09/22		5.29	24.49	26.79	1,136	886	
FC45N 09/23		5.29	25.37	27.67	1,183	922	
FC45N 09/24	5.29	26.25	28.56	1,229	959		
FC45N 09/25	5.29	27.13	29.44	1,275	995		
FC45N 09/26	5.29	28.01	30.32	1,322	1,031		
FC45N 09/27	5.29	28.89	31.20	1,368	1,067		
FC45N 09/28	5.29	29.77	32.08	1,414	1,103		
FC45N 09/29	5.29	30.65	32.96	1,461	1,139		
FC45N 09/30	5.29	31.53	33.84	1,507	1,175		
<b>FC45N 10</b> D=9.10 m (30 FT)	FC45N 10/04	5.84	9.39	11.82	391	305	
	FC45N 10/05	5.84	10.28	12.70	448	350	
	FC45N 10/06	5.84	11.16	13.58	506	394	
	FC45N 10/07	5.84	12.04	14.46	563	439	
	FC45N 10/08	5.84	12.92	15.34	620	484	
	FC45N 10/09	5.84	13.80	16.22	677	528	
	FC45N 10/10	5.84	14.68	17.10	734	573	
	FC45N 10/11	5.84	15.56	17.98	792	617	
	FC45N 10/12	5.84	16.44	18.86	849	662	
	FC45N 10/13	5.84	17.32	19.74	906	707	
	FC45N 10/14	5.84	18.20	20.62	963	751	
	FC45N 10/15	5.84	19.08	21.50	1,020	796	
	FC45N 10/16	5.84	19.97	22.39	1,078	841	
	FC45N 10/17	5.84	20.85	23.27	1,135	886	
	FC45N 10/18	5.84	21.73	24.15	1,192	930	
	FC45N 10/19	5.84	22.61	25.03	1,250	975	
	FC45N 10/20	5.84	23.49	25.91	1,307	1,019	
	FC45N 10/21	5.84	24.37	26.79	1,364	1,064	
	FC45N 10/22	5.84	25.25	27.67	1,421	1,109	
	FC45N 10/23	5.84	26.13	28.55	1,478	1,153	
FC45N 10/24	5.84	27.01	29.43	1,536	1,198		
FC45N 10/25	5.84	27.89	30.31	1,593	1,242		
FC45N 10/26	5.84	28.77	31.19	1,650	1,287		
FC45N 10/27	5.84	29.65	32.07	1,707	1,332		
FC45N 10/28	5.84	30.53	32.95	1,764	1,376		
FC45N 10/29	5.84	31.41	33.83	1,822	1,421		
FC45N 10/30	5.84	32.29	34.71	1,879	1,465		
<b>FC45N 11</b> D=10.01 m (33 FT)	FC45N 11/04	6.31	9.87	12.56	492	384	
	FC45N 11/05	6.31	10.74	13.43	562	438	
	FC45N 11/06	6.31	11.62	14.31	631	492	
	FC45N 11/07	6.31	12.50	15.19	700	546	
	FC45N 11/08	6.31	13.38	16.07	769	600	
	FC45N 11/09	6.31	14.26	16.95	838	654	
	FC45N 11/10	6.31	15.14	17.83	908	708	
	FC45N 11/11	6.31	16.02	18.71	977	762	

<b>FC45N 11 D=10.01 m (33 FT)</b>	FC45N 11/12	6.31	16.90	19.59	1,046	816
	FC45N 11/13	6.31	17.78	20.47	1,115	870
	FC45N 11/14	6.31	18.66	21.35	1,184	924
	FC45N 11/15	6.31	19.54	22.23	1,254	978
	FC45N 11/16	6.31	20.43	23.12	1,324	1,032
	FC45N 11/17	6.31	21.31	24.00	1,393	1,086
	FC45N 11/18	6.31	22.19	24.88	1,462	1,140
	FC45N 11/19	6.31	23.07	25.76	1,531	1,194
	FC45N 11/20	6.31	23.95	26.64	1,600	1,248
	FC45N 11/21	6.31	24.83	27.52	1,670	1,302
	FC45N 11/22	6.31	25.71	28.40	1,739	1,356
	FC45N 11/23	6.31	26.59	29.28	1,808	1,410
	FC45N 11/24	6.31	27.47	30.16	1,877	1,464
	FC45N 11/25	6.31	28.35	31.04	1,946	1,518
	FC45N 11/26	6.31	29.23	31.92	2,016	1,572
	FC45N 11/27	6.31	30.11	32.80	2,085	1,626
	FC45N 11/28	6.31	30.99	33.68	2,154	1,680
	FC45N 11/29	6.31	31.87	34.56	2,223	1,734
	FC45N 11/30	6.31	32.75	35.44	2,292	1,788

DIAMETER METERS (FT)	MODEL	HEIGHTS			CAPACITY		
		STRUCTURES M (A)	EAVES M (B)	OVERALL M (C)	M <sup>3</sup>	TONNES	
<b>FC45N 12</b> <b>D=10.91 m</b> <b>(36 FT)</b>	FC45N 12/04	6.82	10.38	13.33	609	475	
	FC45N 12/05	6.82	11.21	14.15	691	539	
	FC45N 12/06	6.82	12.09	15.03	773	603	
	FC45N 12/07	6.82	12.97	15.91	856	667	
	FC45N 12/08	6.82	13.85	16.79	938	732	
	FC45N 12/09	6.82	14.73	17.68	1,020	796	
	FC45N 12/10	6.82	15.61	18.56	1,103	860	
	FC45N 12/11	6.82	16.49	19.44	1,185	924	
	FC45N 12/12	6.82	17.37	20.32	1,267	989	
	FC45N 12/13	6.82	18.25	21.20	1,350	1,053	
	FC45N 12/14	6.82	19.13	22.08	1,432	1,117	
	FC45N 12/15	6.82	20.01	22.96	1,515	1,181	
	FC45N 12/16	6.82	20.90	23.85	1,598	1,247	
	FC45N 12/17	6.82	21.78	24.73	1,681	1,311	
	FC45N 12/18	6.82	22.66	25.61	1,763	1,375	
	FC45N 12/19	6.82	23.54	26.49	1,845	1,439	
	FC45N 12/20	6.82	24.42	27.37	1,928	1,504	
	FC45N 12/21	6.82	25.30	28.25	2,010	1,568	
	FC45N 12/22	6.82	26.18	29.13	2,092	1,632	
	FC45N 12/23	6.82	27.06	30.01	2,175	1,696	
	FC45N 12/24	6.82	27.94	30.89	2,257	1,761	
	FC45N 12/25	6.82	28.82	31.77	2,339	1,825	
	FC45N 12/26	6.82	29.70	32.65	2,422	1,889	
	FC45N 12/27	6.82	30.58	33.53	2,504	1,953	
	FC45N 12/28	6.82	31.46	34.41	2,586	2,017	
	FC45N 12/29	6.82	32.34	35.29	2,669	2,082	
	FC45N 12/30	6.82	33.22	36.17	2,751	2,146	
	<b>FC45N 13</b> <b>D=11.82 m</b> <b>(39 FT)</b>	FC45N 13/04	7.27	10.82	14.03	743	580
		FC45N 13/05	7.27	11.69	14.90	840	655
		FC45N 13/06	7.27	12.57	15.78	936	730
FC45N 13/07		7.27	13.45	16.66	1,033	806	
FC45N 13/08		7.27	14.33	17.54	1,130	881	
FC45N 13/09		7.27	15.21	18.42	1,226	957	
FC45N 13/10		7.27	16.09	19.30	1,323	1,032	
FC45N 13/11		7.27	16.97	20.18	1,420	1,107	
FC45N 13/12		7.27	17.85	21.06	1,516	1,183	
FC45N 13/13		7.27	18.73	21.94	1,613	1,258	
FC45N 13/14		7.27	19.61	22.82	1,710	1,333	
FC45N 13/15		7.27	20.49	23.70	1,806	1,409	
FC45N 13/16		7.27	21.38	24.59	1,904	1,485	
FC45N 13/17		7.27	22.26	25.47	2,001	1,560	
FC45N 13/18		7.27	23.14	26.35	2,097	1,636	
FC45N 13/19		7.27	24.02	27.23	2,194	1,711	
FC45N 13/20		7.27	24.90	28.11	2,291	1,787	
FC45N 13/21		7.27	25.78	28.99	2,387	1,862	
FC45N 13/22		7.27	26.66	29.87	2,484	1,937	
FC45N 13/23		7.27	27.54	30.75	2,581	2,013	
FC45N 13/24		7.27	28.42	31.63	2,677	2,088	
FC45N 13/25		7.27	29.30	32.51	2,774	2,164	
FC45N 13/26		7.27	30.18	33.39	2,870	2,239	
FC45N 13/27		7.27	31.06	34.27	2,967	2,314	
FC45N 13/28	7.27	31.94	35.15	3,064	2,390		
FC45N 13/29	7.27	32.82	36.03	3,160	2,465		
FC45N 13/30	7.27	33.70	36.91	3,257	2,540		
<b>FC45N 14</b> <b>D=12.73 m</b> <b>(42 FT)</b>	FC45N 14/04	7.71	11.27	14.74	891	695	
	FC45N 14/05	7.71	12.15	15.62	1,004	783	
	FC45N 14/06	7.71	13.03	16.50	1,116	870	
	FC45N 14/07	7.71	13.91	17.38	1,228	958	
	FC45N 14/08	7.71	14.79	18.26	1,340	1,045	
	FC45N 14/09	7.71	15.67	19.14	1,452	1,132	
	FC45N 14/10	7.71	16.55	20.02	1,564	1,220	
	FC45N 14/11	7.71	17.43	20.90	1,676	1,307	
	FC45N 14/12	7.71	18.31	21.78	1,788	1,395	
	FC45N 14/13	7.71	19.19	22.66	1,900	1,482	
	FC45N 14/14	7.71	20.07	23.54	2,012	1,570	
	FC45N 14/15	7.71	20.95	24.42	2,124	1,657	
	FC45N 14/16	7.71	21.84	25.31	2,238	1,745	
	FC45N 14/17	7.71	22.72	26.19	2,350	1,833	
	FC45N 14/18	7.71	23.60	27.07	2,462	1,920	
	FC45N 14/19	7.71	24.48	27.95	2,574	2,008	
	FC45N 14/20	7.71	25.36	28.83	2,686	2,095	
	FC45N 14/21	7.71	26.24	29.71	2,798	2,183	
	FC45N 14/22	7.71	27.12	30.59	2,910	2,270	
	FC45N 14/23	7.71	28.00	31.47	3,022	2,357	
	FC45N 14/24	7.71	28.88	32.35	3,134	2,445	
	FC45N 14/25	7.71	29.76	33.23	3,247	2,532	
	FC45N 14/26	7.71	30.64	34.11	3,359	2,620	
	FC45N 14/27	7.71	31.52	34.99	3,471	2,707	
FC45N 14/28	7.71	32.40	35.87	3,583	2,795		
FC45N 14/29	7.71	33.28	36.75	3,695	2,882		
FC45N 14/30	7.71	34.16	37.63	3,807	2,969		

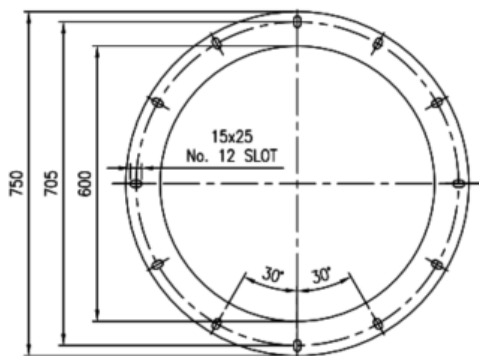
**NOTE**

- 1) Heights might be subjected to +/- 0,030 m variation depending on the site conditions
- 2) Capacities are to be considered UNCOMPACTED
- 3) The maximum number of rings is referred to standard ambiental data: 73,6 daN/m<sup>2</sup> for snow; 100daN/m<sup>2</sup> for design wind pressure; 0,00g for seismic



#### LEGEND AND DETAILS

- A = Structure height
- B = Height to eave
- C = Overall height
- D = Bin sheets mean diameter
- E = Outlet collar clearance for FC-45 from mod. 04 to 08 = 1.00 m and from mod. 09 to 14 = 1.45 m
- F\* = Outlet collar inside diameter = 600 mm
- G\* = Roof cap diameter = 900 mm (max. diam. of inlet pipe 420 mm)
- \* = Fixed



#### HOPPER OUTLET DETAIL

##### NOTE

- 1) Heights might be subjected to +/- 0,030 m variation depending on the site conditions
- 2) Capacities are to be considered UNCOMPACTED
- 3) The maximum number of rings is referred to standard ambiental data: 73,6 daN/m<sup>2</sup> for snow; 100daN/m<sup>2</sup> for design wind pressure; 0,00g for seismic dimensions