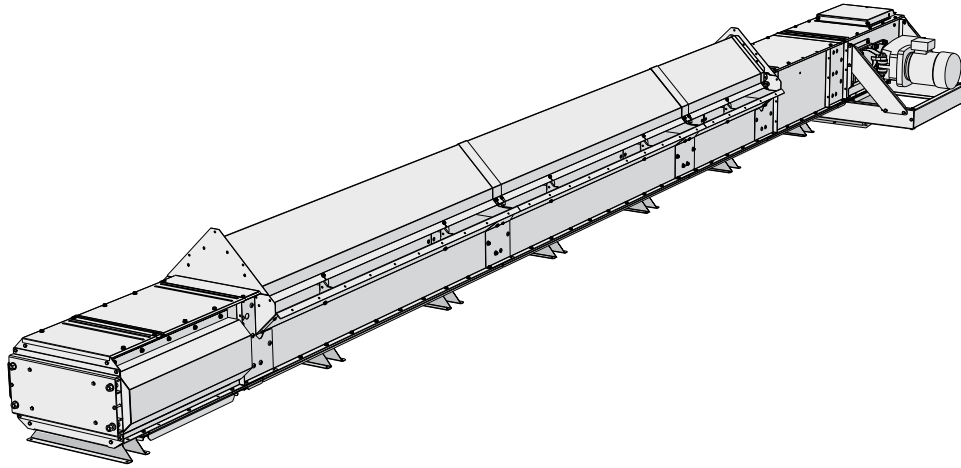




**SKANDIA
ELEVATOR**



Our machines are designed for outdoor use. We only use galvanised steel plate, and join the parts by means of clamp riveting and screwing in order to keep the surface layer intact. Edges are bent down, joints and seams overlap and many parts are embossed in order to prevent water penetration. The most exposed joints are also sealed with rubber strips or silicone. The products in the H-LINE are designed for plants with intense operation all year round.



KTHg
20/33-50/51

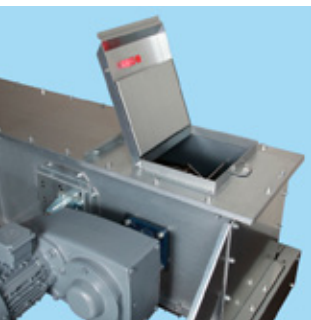
The trench intake conveyor KTHg is adapted in terms of capacity to transport material from a loading trench to a Skandia belt & bucket elevator. The trench intake section is self-regulating, which prevents overfilling.

STANDARD EQUIPMENT:

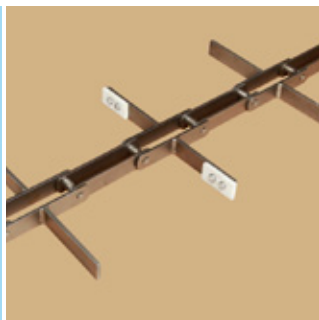
- › Direct-mounted gearbox motor with support frame
- › Pop up overloading flap/inspection hatch with safety switch
- › Outlet hopper for the drive
- › Self-regulating trench intake sections
- › Chain tensioner with variable end face for extra cleanliness
- › Bottom clean out hatch in tail end
- › Journalled chain return rollers of steel
- › Permanently lubricated bearings
- › Chain and flight of steel with clean-out flight of PE (polyethylene)
- › Plastic wearing surfaces on top of the bottom plate

ACCESSORIES:

- › Weather cover for gearbox motor
- › Connections, hoppers & valves for different needs
- › Chain guard
- › Inspection glass for intermediate sections
- › Capacity slide for fine-grained materials



Pop up overloading flap/inspection hatch with safety switch.

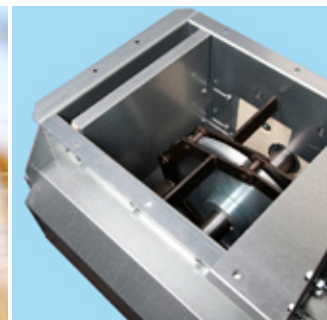


Chain and flight of steel with clean-out flight of PE (polyethylene).

**GALVANISED
ENERGY EFFICIENT
SERVICE FRIENDLY
COMPACT
RELIABLE
EASILY MOUNTED**



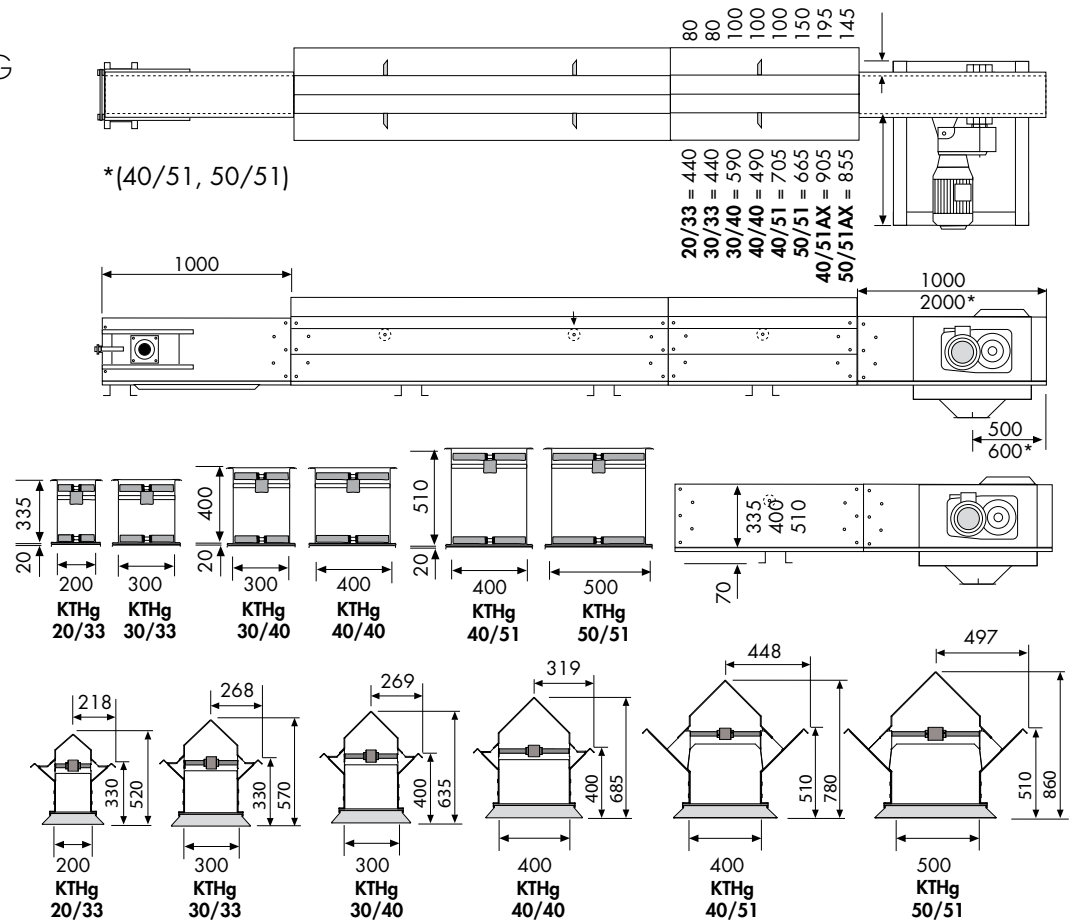
**THE
LEADING
COMPANY**



Variable end face for extra cleanliness.

KTHg

DIMENSIONAL DRAWING



All drawings are available in CAD format.

KTHg	20/33	30/33	30/33	30/40	40/40	40/51	50/51	50/51	
TRENCH INTAKE CONVEYOR	60 t/h	80 t/h	100 t/h	120 t/h	150 t/h	200 t/h	250 t/h	300 t/h	
Capacity for 750 kg/m ³	t/h	56-60	76-82	94-100	117-124	141-154	188-204	235-255	284-304
Capacity	m ³ /h	75-80	101-109	125-133	156-165	188-205	251-272	313-340	379-405
Speed	rpm	43-46	38-41	47-50	37-39	32-35	24-26	24-26	29-31
Chain speed	m/s	0.57-0.61	0.51-0.55	0.63-0.67	0.62-0.65	0.53-0.58	0.51-0.55	0.51-0.55	0.62-0.66
Conveyor chain, type		M80		M80-M112		M80-M160		M112-M224	
Pitch/ultimate tensile strength	mm/kN	100/80		100/80-112		100-125/80-160		160/112-224	
Chain sprocket, teeth	pcs		8		10		8		
Flight, material					Steel				
Intermediate section, width/height	mm		200/335		300/400	400/400	400/510	500/510	
Plate thickness drive, side plate/bottom plate	mm		5.0/2.0		6.0/2.0	7.0/2.5	8.0/2.5		
Plate thickness tail end/intermediate section, side/bottom plate	mm		2.5/2.0		3.0/2.0		4.0/2.5		
Thickness, plastic bottom	mm				8.0				
Inlet and outlet hoppers	mm	3.0/□180	3.0/□250		3.0/□300	3.0/□350	3.0/□400		
ATEX class (standard equipment)					II 2D/OD				

